

INTELLI-FLOW HT™ WATER SAVER Installation Instructions

1.0 GENERAL

The Intelli-Flow HT™ WATER SAVER reduces the amount of barrier fluid consumed by a dual seal compared to a typical force circulated barrier system. The unit consists of a thermally activated valve, set to a specified temperature to open and close within the temperature range. When utilizing the Intelli-Flow HT™ with a Chesterton dual seal, barrier fluid water consumption will be substantially reduced.

2.0 INSTALLATION PROCEDURE

The Intelli-Flow HT™ offers a 1/4", 3/8" and 1/2" NPT male fitting for simplified installation on a Chesterton dual seal barrier fluid outlet port. The Intelli-Flow HT™ also comes equipped with a 1/4" NPT flush port that can be piped to an effluent recovery system, bypassing the thermal actuated valve.

1. Install the Chesterton dual seal according to the installation instructions.
2. Determine the inlet and outlet barrier ports on the Chesterton dual seal. **Reference Figure 1.**
3. Install the Intelli-Flow HT™ WATER SAVER in the outlet barrier fluid port of the Chesterton dual seal gland. **Reference Figure 2.**
4. Install customer supplied valve to 1/4" NPT flush port in Intelli-Flow HT™ body. Pipe outlet to effluent recovery. **Caution: Fluid temperature can exceed 93°C (200°F). Proper hoses and fittings should be used with elevated temperature.**

3.0 MATERIALS / SPECIFICATIONS

Valve Body	303 SS
Thermal Actuator	BRASS
Operating Spring	302 SS
Ram-Type Plug	303 SS
Seat Seal	PTFE
Body Seal	FKM
Threaded Pipe Fittings:	
1/2", 3/8" NPT Male; 1/4" NPT Female	316 SS

3.1 CUSTOMER SUPPLIED MATERIALS

Hose Adapter 90° Elbow, Male Barbed, (1/4" Hose ID, 1/4" NPT Male	316 SS
Outlet Hose (1/4" ID X 1/2" OD, 6 Ft). . Material Selection Based on Temperature	
Worm-Drive Hose & Tube Clamp	301 SS

4.0 LIMITS OF OPERATION

Maximum Temperature :	121°C (250°F)
Maximum Pressure :	20.7 BARG (300 PSIG)

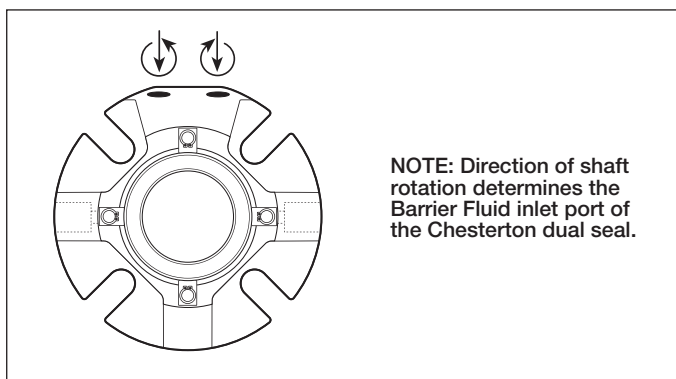


Figure 1 – S20 Piping Inlet for Specific Shaft Rotation

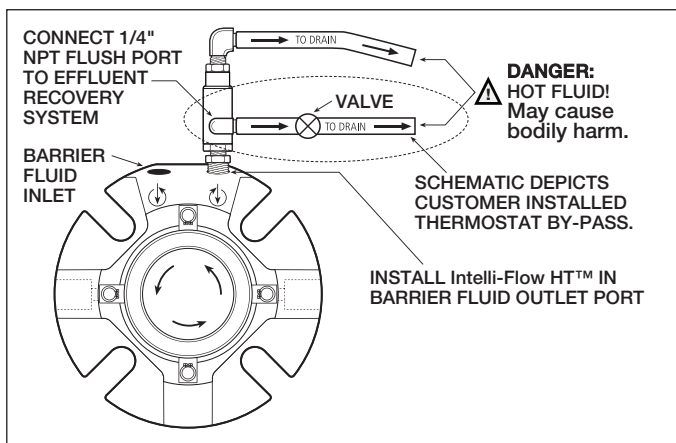


Figure 2 – Intelli-Flow HT™ Installation

NOTE:

For optimum performance install Intelli-Flow HT™ unit as close to seal gland as possible. Water quality and particulate may affect the performance of the Intelli-Flow HT™ WATER SAVER and Seal.